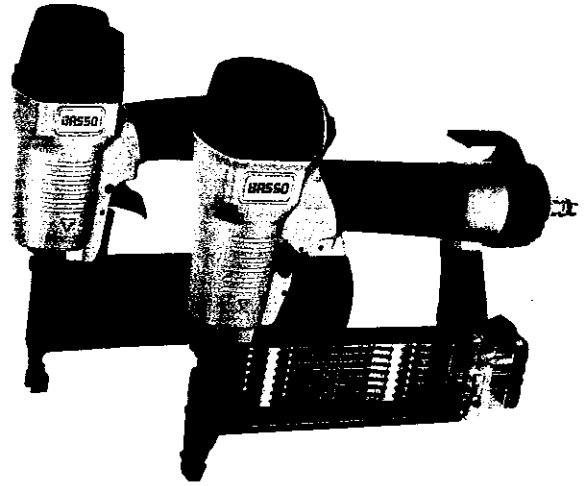
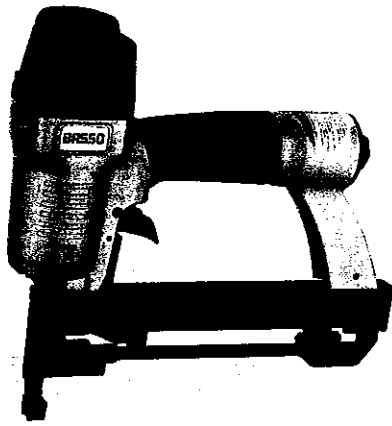


# Finish Nailer / Stapler

## Applications

Light furniture, Cabinet assembly  
 Trim and molding  
 Light framing, Underlayment  
 Insulative sheathing  
 Flooring, Paneling



Model	816/50L					
Weight-kg (lbs)	1.1 (2.4)	1.2 (2.6)	1.1 (2.4)	1.3 (2.8)	1.5 (3.3)	
Fastener capacity	100	100	100	100	100	
LxWxH (mm)	261 x 60 x 220	263 x 60 x 256	244 x 66 x 255	256 x 58 x 249	300 x 60 x 256	
C/D A X B (Gauge)	1.25 x 1.0mm (18)	1.25 x 1.0mm (18)	1.25 x 1.0mm (18)	1.25 x 1.0mm (18)	1.25 x 1.0mm (18)	1.6 x 1.4mm (16)

Model	816/50L					
Weight-kg (lbs)	1.1 (2.4)	1.2 (2.6)	1.2 (2.6)	1.2 (2.6)	1.3 (2.8)	1.3 (2.8)
Fastener capacity	100	105	100	100	100	84
LxWxH (mm)	266 x 60 x 220	220 x 66 x 221	266 x 60 x 225	266 x 60 x 253	266 x 60 x 253	245 x 65 x 251
C/D A X B (Gauge)	5.8 / 3.8 1.25 x 1.0mm (18)	5.8 / 3.8 1.25 x 1.0mm (18)	8.6 / 6.6 1.25 x 1.0mm (18)	5.8 x 3.8 1.25 x 1.0mm (18)	10 x 7.7 1.25 x 1.0mm (18)	5.8 x 3.8 1.25 x 1.0mm (18)

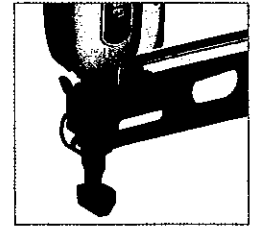
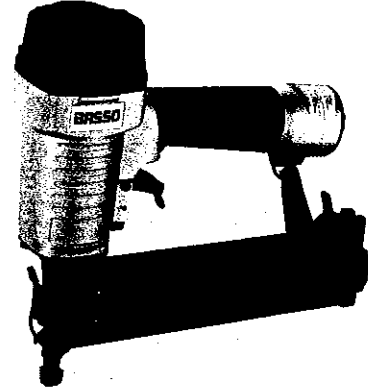
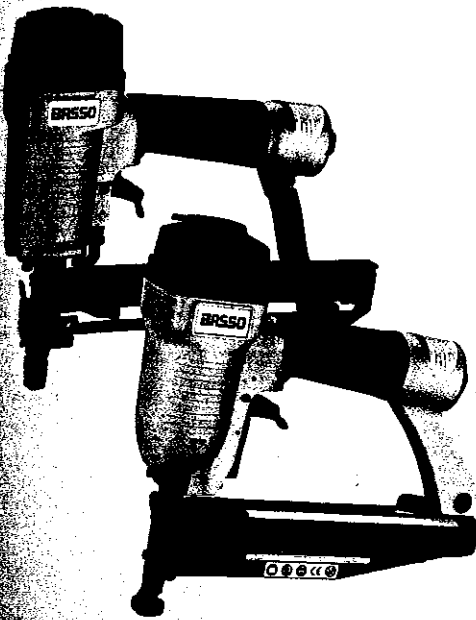
\* Flooring installation

• Air pressure: 5-8bar (70-120psi)

# Finish Nailer / Stapler

## Applications

- Cabinet, Furniture assembly, Finish and trim
- Door and window frames, Exterior trim
- Aluminium and vinyl siding
- Flooring, Paneling molding



Flooring Installation

Model	90/40	S92/40	S8/40	S500/40	S316/18/50
Weight-kg (lbs)	1.7 (3.7)	1.9 (4.2)	1.9 (4.2)	2.0 (4.4)	1.5 (3.3)
Fastener capacity	160	160	140	140	100
LxWxH (mm)	310 x 76 x 274	310 x 76 x 274	320 x 76 x 275	324 x 76 x 275	303 x 82 x 273
					★ Flooring Installation
C/D A X B (Gauge)	5.8 / 3.8 1.25 x 1.0mm (18)	8.6 / 6.6 1.25 x 1.0mm (18)	11.1 / 8.3 1.6 x 1.4mm (16)	11.0 / 8.9 1.3 x 1.05mm (18)	5.8 / 3.8 1.25 x 1.0mm (18)
					★ Flooring Installation  1.6 x 1.4mm (16)

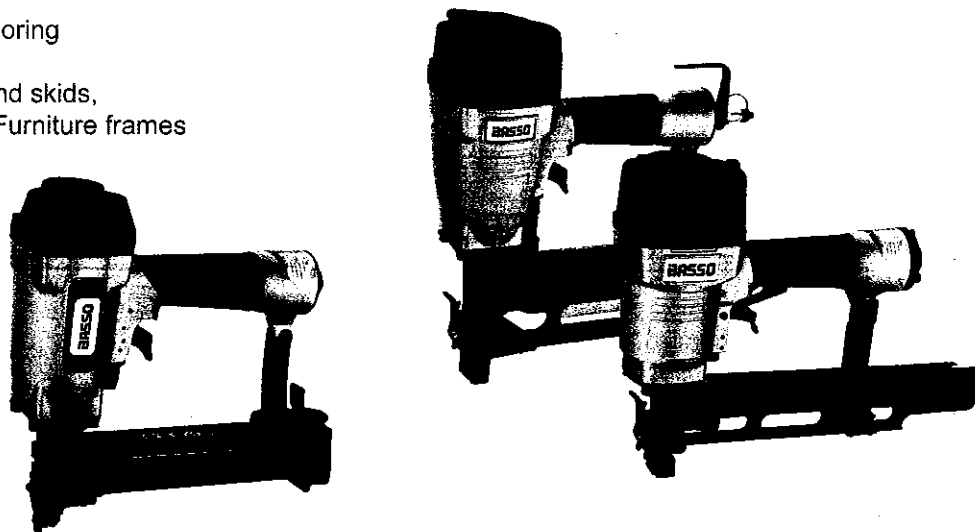
Model	16/50-B1	B16/50-C1	16/64LW	B16/64
Weight-kg (lbs)	2.0 (4.4)	1.9 (4.2)	1.9 (4.2)	1.7 (3.7)
Fastener capacity	100	98	100	100
LxWxH (mm)	290 x 76 x 278	295 x 76 x 278	335 x 76 x 280	299 x 74 x 281
C/D A X B (Gauge)	1.6 x 1.4mm (16)	3.2x1.8 1.8mm	1.6 x 1.4mm (16)	1.6 x 1.4mm (16)

• Air pressure: 5-8bar (70-120psi)

# Sheathing Stapler / Corrugated Nailer

## Applications

Framing, Sheathing, Subflooring  
 Door and window frames,  
 Boxes and crates Pallets and skids,  
 Roof decking Bed frames, Furniture frames  
 Tongue & groove flooring

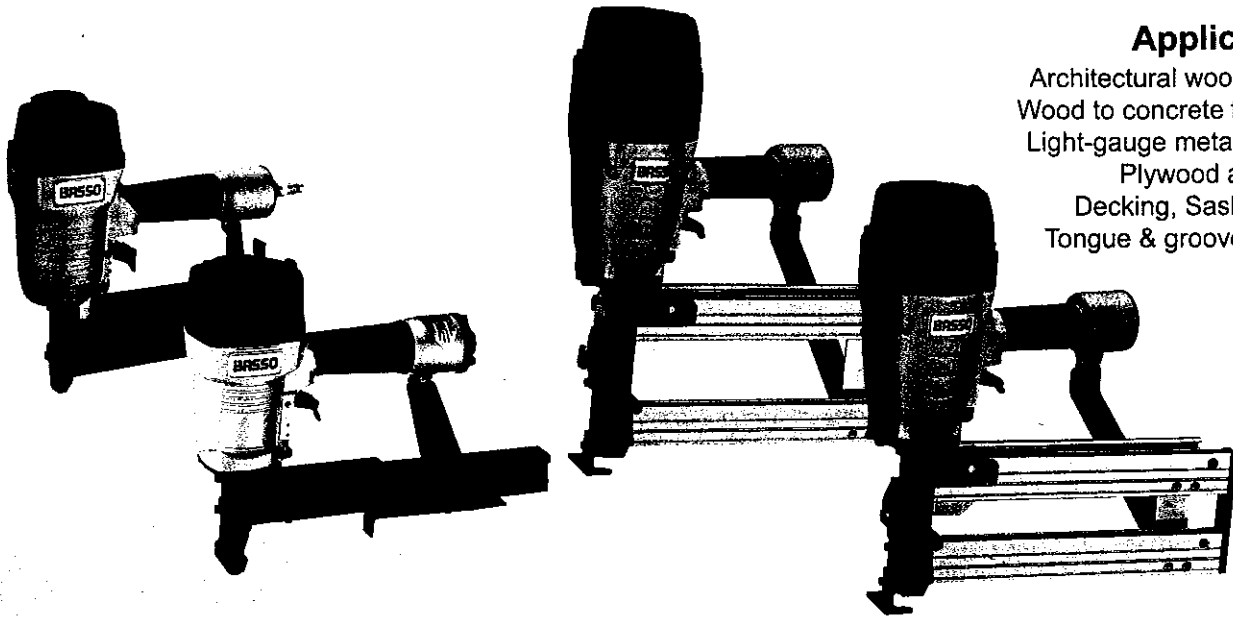


Flooring Type Safety and Flat Type Safety are available for option.

Model	1.94 (4.3)	2.5 (5.5)	2.5 (5.5)	2.8 (6.2)
Weight-kg (lbs)	1.94 (4.3)	2.5 (5.5)	2.5 (5.5)	2.8 (6.2)
Fastener capacity	140	150	120	140
LxWxH (mm)	360 x 78 x 272	369 x 93 x 286	410 x 93 x 260	410 x 98 x 276
C/D A X B (Gauge)	11.1 / 8.3 1.6 x 1.4mm (16)	11.1 / 8.3 1.6 x 1.4mm (16)	11.2 / 8.4 1.6 x 1.4mm (16)	12.25 / 9.45 1.6 x 1.4mm (16)

Model	2.61 (5.75)	2.3	2.6 (5.7)	100	3.0 (6.6)	150
Weight-kg (lbs)	2.61 (5.75)	2.3	2.6 (5.7)	100	3.0 (6.6)	150
Fastener capacity	130	46	130	100	375 x 100 x 325	150
LxWxH (mm)	370 x 93 x 282	300 x 82 x 282	365 x 98 x 338			
C/D A X B (Gauge)	12.8 / 10 1.6 x 1.4mm (16)		11.1 / 7.6 1.7 x 1.9mm (15)	∅ 2.2mm	11.2 / 8.4 1.6 x 1.4mm (16)	11.7 / 7.9 1.6 x 1.4mm (16)

# Roofing Stapler / Finish & Concrete Nailer



## Applications

Architectural woodworking  
 Wood to concrete fastening  
 Light-gauge metal piercing  
 Plywood assembly  
 Decking, Sash, Pallets  
 Tongue & groove flooring

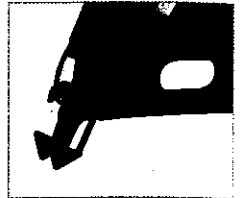
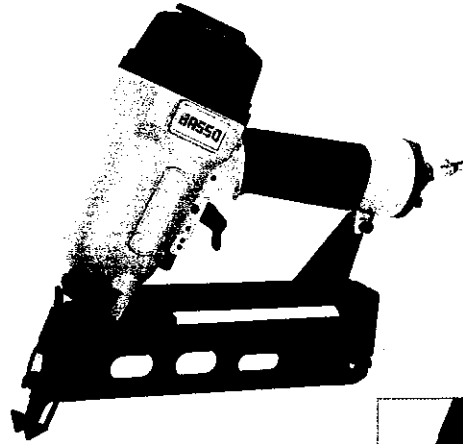
Model	3.0 (6.6)	3.0 (6.6)	3.0 (6.6)	3.0 (6.6)
Weight-kg (lbs)	3.0 (6.6)	3.0 (6.6)	3.0 (6.6)	3.0 (6.6)
Fastener capacity	140	140	150	140
LxWxH (mm)	369 x 93 x 270	376 x 93 x 270	377 x 93 x 270	376 x 93 x 270
C/D A X B (Gauge)	26.5 / 23.7 1.6 x 1.4mm (16)	26.6 / 23.8 1.6 x 1.4mm (16)	25.0 / 22.4 1.45 x 1.3mm (17)	25.4 / 22.6 1.6 x 1.4mm (16)

Model	2.559 (5.61)	2.8 (6.2)	2.7 (6.0)	2.7 (6.0)	5.85 (5.0)	6.25 (13.7)
Weight-kg (lbs)	2.559 (5.61)	2.8 (6.2)	2.7 (6.0)	2.7 (6.0)	5.85 (5.0)	6.25 (13.7)
Fastener capacity	80	70	74	86	120	120
LxWxH (mm)	318 x 92 x 293	320 x 93 x 283	320 x 93 x 283	320 x 93 x 269	400 x 132 x 396	400 x 138 x 470
C/D A X B (Gauge)	ø 2.2mm	ø 2.5mm	2.2 x 1.65mm (14)	1.9 x 1.6mm (15)	27 / 23.4 2.0 x 1.8mm (15)	27 / 23.4 2.0 x 1.8mm (15)

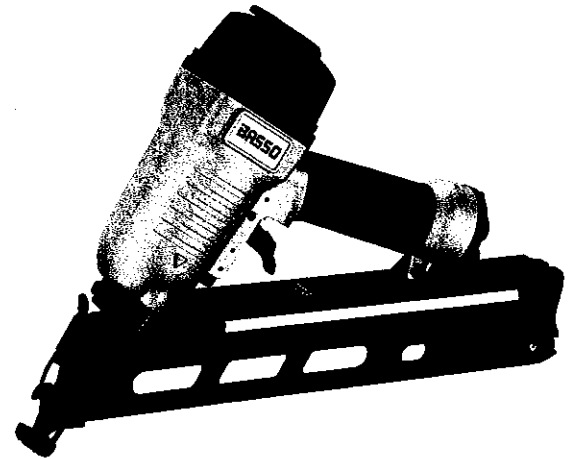
# Angle Finishing Nailer

## Applications

Boards in furniture, Door and window,  
Casings, Cabinet face, Frame, Decoration  
Wood furniture, Hardwood  
Flooring, Paneling  
Trim panels



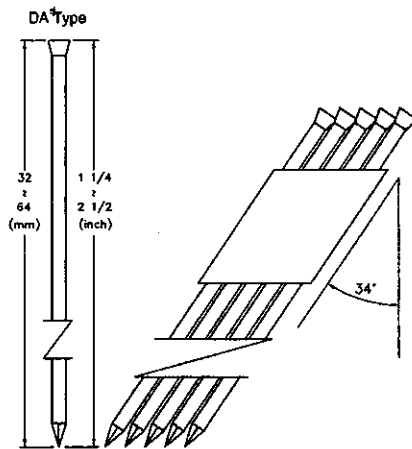
Flooring Installation



<b>Model</b>	
<b>Weight-kg (lbs)</b>	2.6 (5.7)
<b>Fastener capacity</b>	100
<b>LxWxH (mm)</b>	347 x 124 x 315



Ø (Gauge)

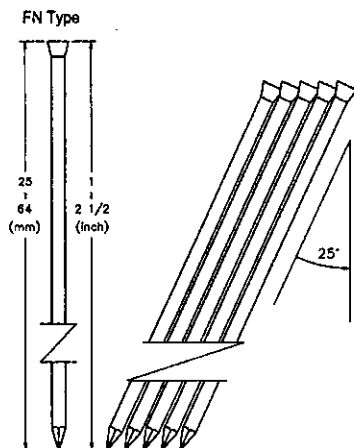


ø 1.8mm (15)

<b>Model</b>		
<b>Weight-kg (lbs)</b>	1.9 (4.2)	1.9 (4.2)
<b>Fastener capacity</b>	129	100
<b>LxWxH (mm)</b>	375 x 85 x 313	348 x 85 x 313

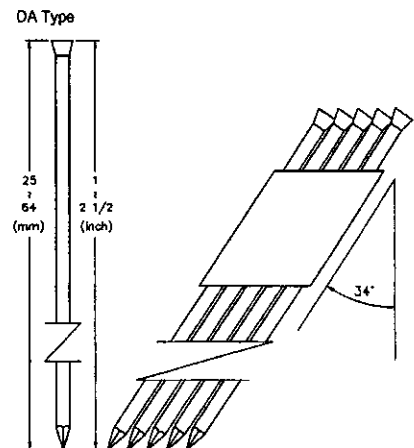


AxB (Gauge)



1.7 x 1.8mm (15)

Option: Flooring  
Installation Version

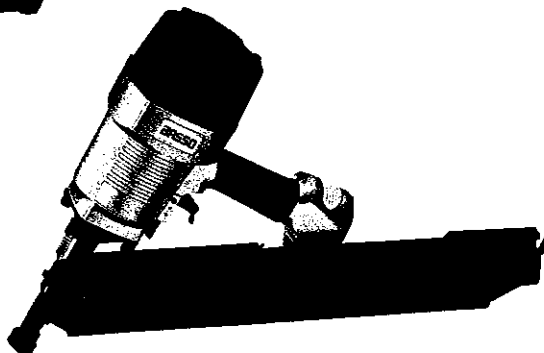
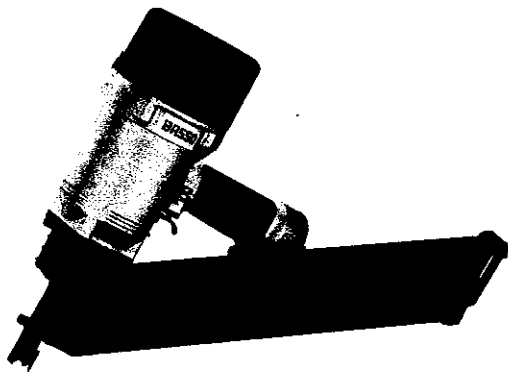


ø 1.8mm (15)

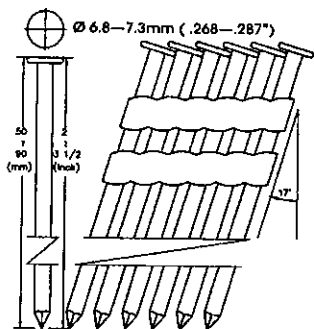
# Angle Framing Nailer

## Applications

- Architectural woodworking
- Sash & mill working
- Pallet manufacturing
- Joint assembly, Subflooring
- Trusses sheathing, Decking
- Framing

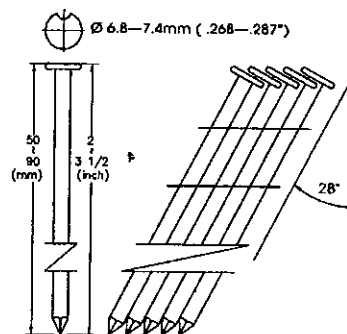


Model	A17/P0	
Weight-kg (lbs)	3.7 (8.1)	
Fastener capacity	60	
LxWxH (mm)	528 x 136 x 364	
	AI:3.5 (7.7)	AI:3.1 (6.8)
	81	
	445 x 125 x 339.5	



∅ 2.9-3.3mm (.113-.131")

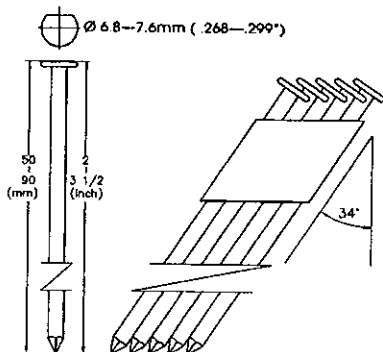
Full round head  
Plastic collated



∅ 2.9-3.3mm (.113-.131")

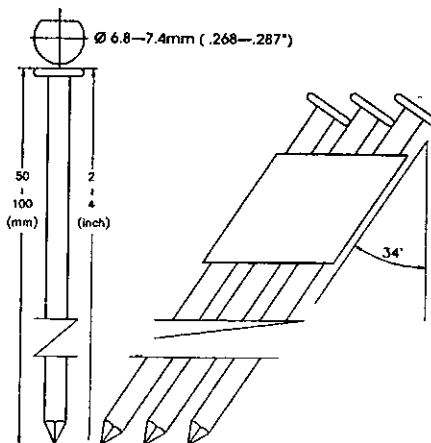
Clipped head  
Wire collated

Model	A34/P3	A34/P0	A34/P0
Weight-kg (lbs)	AI:3.89 (8.57)	AI:3.5 (7.7)	AI:3.2 (7.0)
Fastener capacity	84	90	90
LxWxH (mm)	371 x 108 x 443	480 x 125 x 340	507 x 154 x 373



∅ 2.9-3.3mm (.113-.131")

Clipped head  
Paper collated



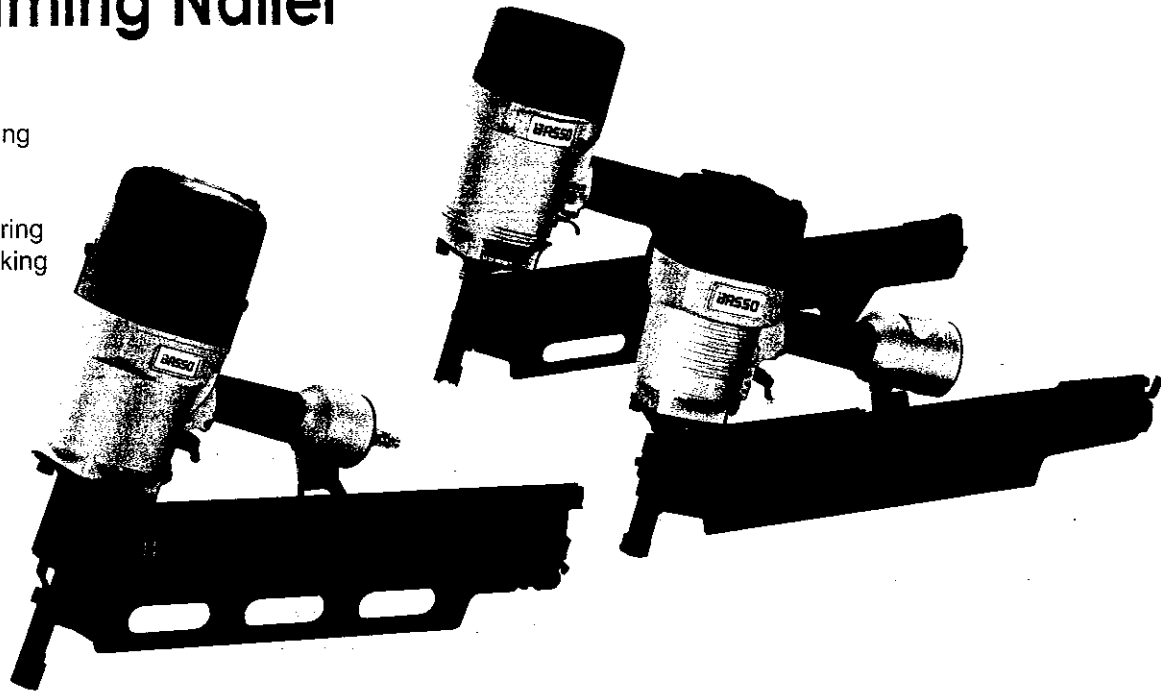
∅ 2.9-3.3mm (.113-.131")

Clipped head  
Paper collated

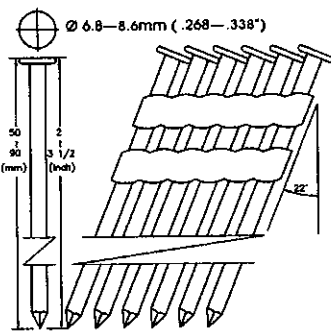
# Angle Framing Nailer

## Applications

- Architectural woodworking
- Sash & mill working
- Pallet manufacturing
- Joint assembly, Subflooring
- Trusses sheathing, Decking
- Framing

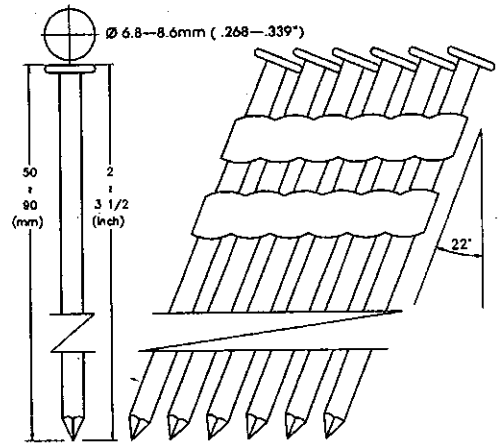


Model	A22/80	A22/100	A22/30H-B1
Weight-kg (lbs)	Al: 3.75 (8.27)	Al:3.6 (7.9) ● 3.2 (7.0)	3.3 (7.3)
Fastener capacity	64	64	68
LxWxH (mm)	523 x 120 x 340	540 x 125 x 335	522 x 138 x 366



∅ 2.9-3.8mm (.113"-.148")

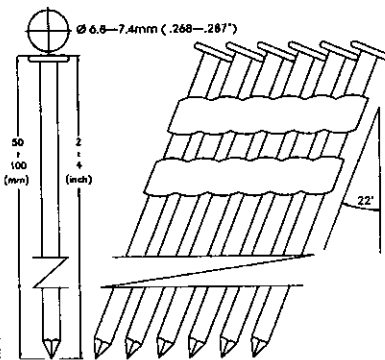
Full round head  
Plastic collated



∅ 2.9-4.1mm (.113"-.162")

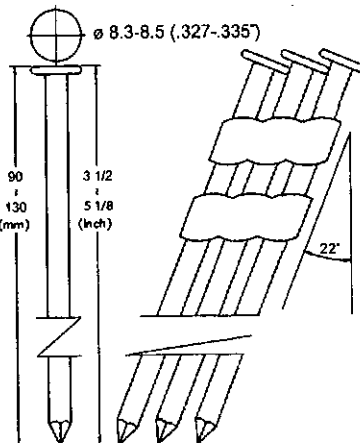
Full round head  
Plastic collated

Model	A22/100	A22/130	A22/160
Weight-kg (lbs)	3.6 (7.9)	6.1 (13.45)	6.87 (15.15)
Fastener capacity	60	54	56
LxWxH (mm)	529 x 139 x 369	523 x 175 x 478	568 x 145 x 538



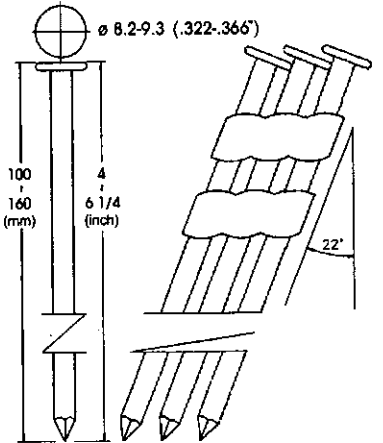
∅ 2.9-3.8mm (.113"-.148")

Full round head  
Plastic collated



∅ 3.8-4.2mm (.149"-.165")

Full round head  
Plastic collated



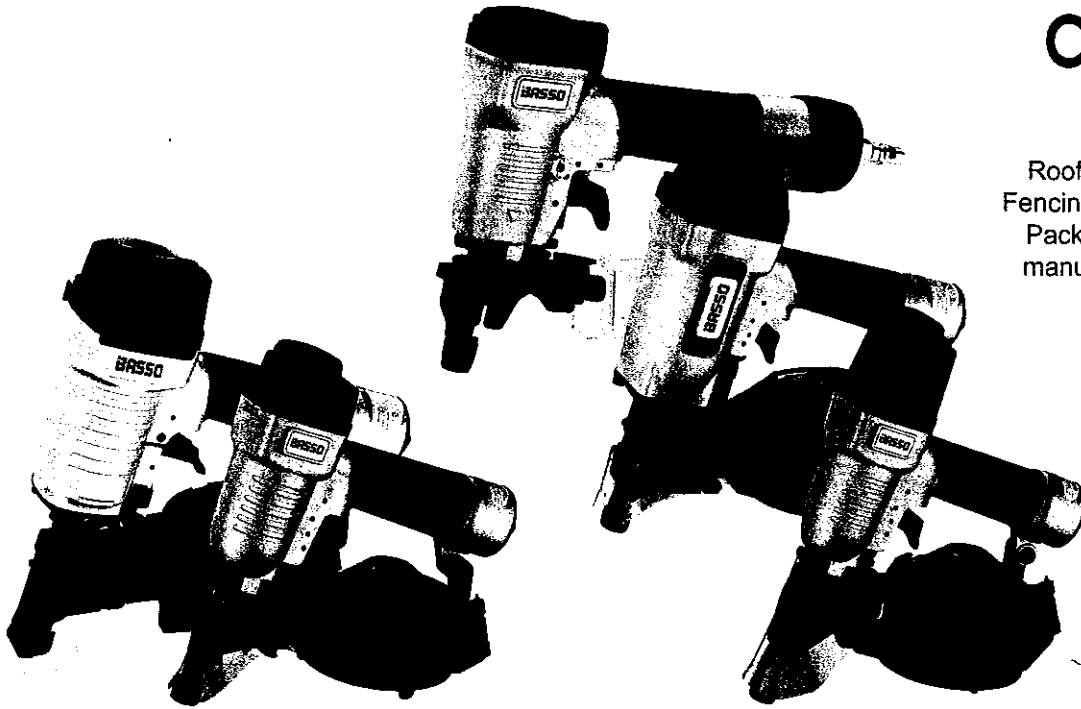
∅ 3.8-4.6mm (.149"-.1815")

Full round head  
Plastic collated

# Coil Nailer

## Applications

Roofing, Shingles, Subfloor  
Fencing, Sheathing, Decking,  
Packaging, Pallet and crate  
manufacturing, Exterior trim



Model	C210	C31/45	C31/45	C31/45	C31/45	C31/45
Weight-kg (lbs)	1.130 (2.49)	2.2 (4.8)	1.2 (2.6)	1.5 (3.3)	1.9 (4.2)	2.0 (4.4)
Fastener capacity	150-188	120	200-400	200-400	350-400	200-400
Magazine Type	Flat	Conical	Conical	Conical	Conical	Conical
Pitch (mm)	P:6.0	W:8.5	W:6.0 P:S Type:6.0	W:6.0 P:S Type:6.0	W:6.0-7	P:L Type:7.0 P:S Type:6.0
LxWxH (mm)	256 x 98 x 211.7	295 x 115 x 275	263 x 108 x 254	258 x 108 x 284	305 x 128 x 285	305 x 128 x 290
	*D* Plastic collated	*Wire collated	*W:27-38mm (1 1/16"-1 1/2") *P:25-38mm (1"-1/2")	*W:27-50mm (1 1/16"-2") *P:25-50mm (1"-2")	*Wire collated	*W:32-50mm (1 1/4"-2") *P:25-50mm (1"-2")
	∅ 1.47-2.1mm (.058"-.083")	∅ 3.1mm (.120")	∅ 1.47-2.1mm (.058"-.083")	∅ 1.47-2.1mm (.058"-.083")	∅ 2.1-2.5mm (.083"-.099")	∅ 1.59mm-2.5mm (.063"-.099")

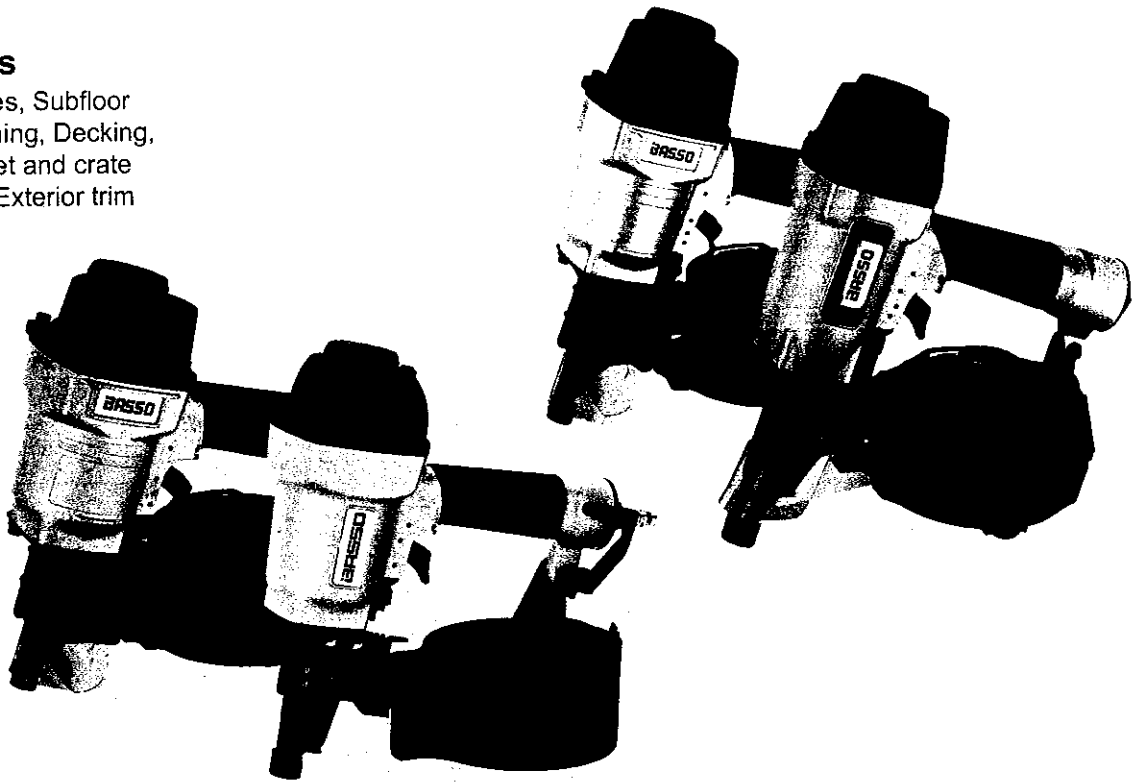
\* W: Wire collated \* P: Plastic collated ● Air pressure: 5-8bar (70-120psi)

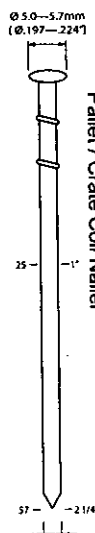
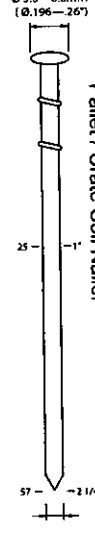

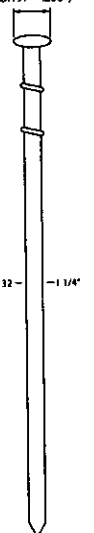
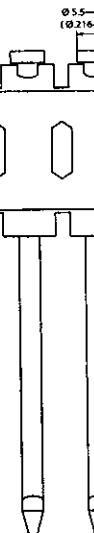
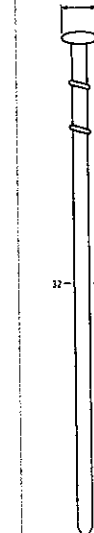
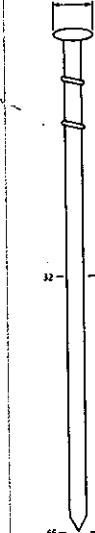


# Coil Nailer

## Applications

Roofing, Shingles, Subfloor  
Fencing, Sheathing, Decking,  
Packaging, Pallet and crate  
manufacturing, Exterior trim



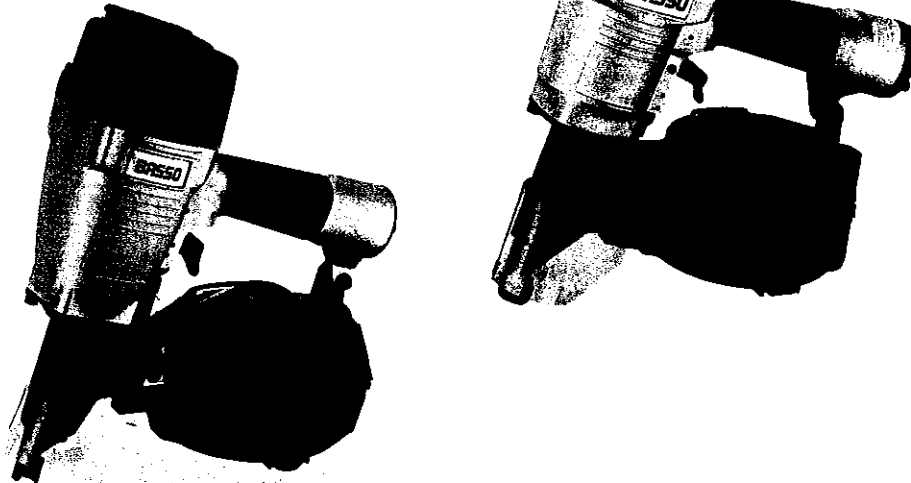
Model	2.7 (5.9)	2.7 (5.9)	2.6 (5.7)	2.0 (4.4)	2.3 (5.03)	2.6 (5.7)	2.0 (4.4)
Weight-kg (lbs)	2.7 (5.9)	2.7 (5.9)	2.6 (5.7)	2.0 (4.4)	2.3 (5.03)	2.6 (5.7)	2.0 (4.4)
Fastener capacity	300-350	300-350	300	200-400	300	250-300	200-400
Magazine Type	Flat	Flat	Flat	Flat / Conical	Flat	Flat	Flat / Conical
Pitch (mm)	W:6.8	W:6.8	W:6.8-8	W:6.8-8 P:L Type:7.5	P:6.3	W:6.8-8	W:6.8-8 P:L Type:7.5
LxWxH (mm)	302 x 132 x 285	302 x 132 x 285	269 x 132 x 316	268 x 128 x 306	300 x 146 x 320	269 x 132 x 316	268 x 128 x 306
	*Wire Collated	*Wire Collated	*Wire collated	*W: 32-65mm (1 1/4"-2 1/2") *P: 32-65mm (1 1/4"-2 1/2")	* 0° Plastic collated	*Wire collated	*W: 32-65mm (1 1/4"-2 1/2") *P: 32-65mm (1 1/4"-2 1/2")
							
Ø	Ø 5.0-5.7mm (Ø.197-224")	Ø 5.0-6.6mm (Ø.196-266")	Ø 5.0-6.0mm (Ø.197-236")	Ø 5.0-6.0mm (Ø.197-236")	Ø 5.5-6.0mm (Ø.216-236")	Ø 5.0-7.0mm (Ø.197-276")	Ø 5.3-7.0mm (Ø.209-276")
	Pallet / Crate Coil Nailer	Pallet / Crate Coil Nailer	Pallet / Crate Coil Nailer	Pallet / Crate Coil Nailer	Pallet / Crate Coil Nailer	Pallet / Crate Coil Nailer	Pallet / Crate Coil Nailer
	25 - 1" - 57 - 2 1/4"	25 - 1" - 57 - 2 1/4"	38 - 1 1/2" - 65 - 2 1/2"	32 - 1 1/4" - 65 - 2 1/2"	32 - 1 1/4" - 65 - 2 1/2"	32 - 1 1/4" - 65 - 2 1/2"	32 - 1 1/4" - 65 - 2 1/2"
	Ø 2.1-2.3mm (.083-.090")	Ø 2.1-2.5mm (.083-.099")	Ø 2.0-2.5mm (.079-.099")	Ø 2.1-2.8mm (.083-.11")	Ø 2.03-2.8mm (.08-.109")	Ø 2.5-2.9mm (.099-.113")	Ø 2.1-2.9mm (.083-.113")

● Magnesium housing \* W: Wire collated \* P: Plastic collated ● Air pressure: 5-8bar (70-120psi)

# Coil Nailer

## Applications

Siding, Pallet and crate manufacturing  
Trusses sheathing, Decking,  
Framing, Sub-floor



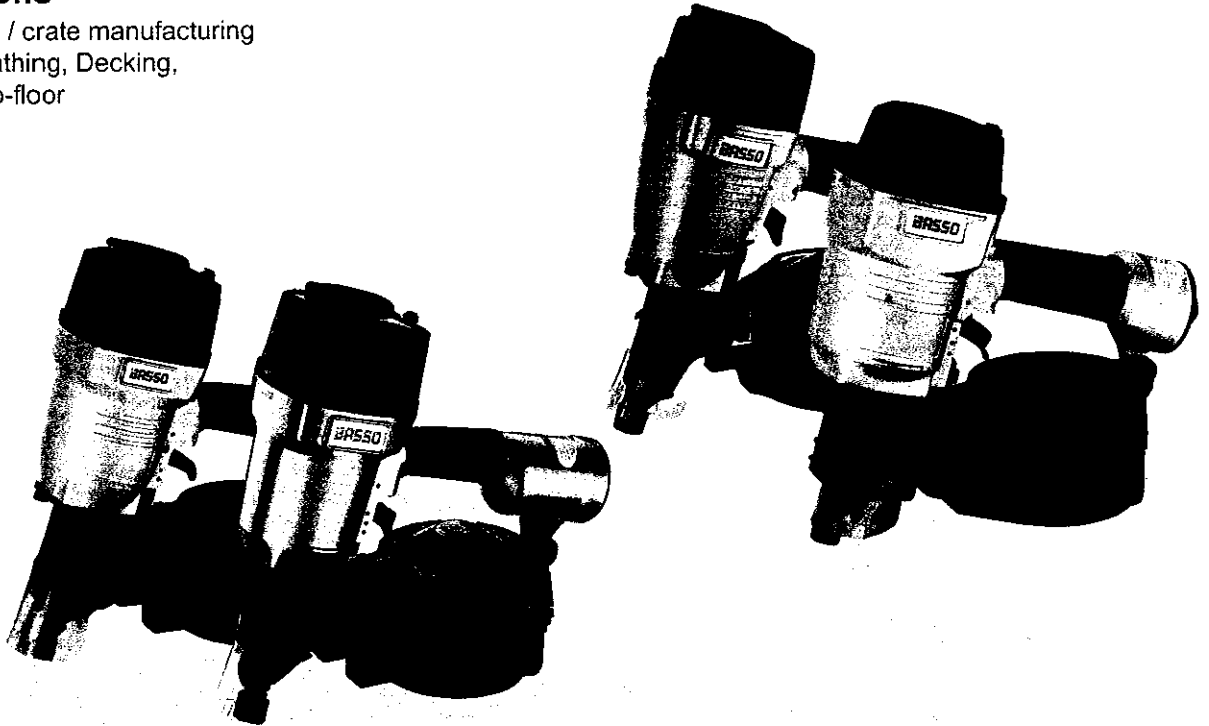
Model	2.3 (5.1)	2.7 (5.9)	2.0 (4.4)	2.3 (5.1)	2.3 (5.1)
Weight-kg (lbs)	2.3 (5.1)	2.7 (5.9)	2.0 (4.4)	2.3 (5.1)	2.3 (5.1)
Fastener capacity	200~400	225~300	200~300	200~300	200~300
Magazine Type	Flat / Conical	Flat	Flat / Conical	Flat / Conical	Flat / Conical
Pitch (mm)	W:6.0~8 P:L Type:7.5	W:6.0~8	P:7.5	W:6.0~8 P:L Type:7.5	W:6.0~8 P:L Type:7.5
LxWxH (mm)	378 x 128 x 308	305 x 128 x 285	268 x 128 x 306	278 x 128 x 308	278 x 128 x 308
	*W: 32~65mm (1 1/4"~2 1/2") *P: 32~65mm (1 1/4"~2 1/2")	*Wire collated	*W:38~65mm (1 1/2"~2 1/2") *P:32~65mm (1 1/4"~2")	W: 38~65mm (1 1/2"~ 2 1/2") P:32~65 (1 1/4" ~ 2 1/2")	W: 38~65mm (1 1/2"~ 2 1/2") P:32~65mm (1 1/4" ~ 2 1/2")
	∅ 2.1~2.9mm (0.083"~.113")	∅ 2.3~3.1mm (0.090"~.120")	∅ 2.3~3.1mm (0.090"~.120")	∅ 2.3~3.1mm (0.090"~.120")	∅ 2.3~3.3mm (0.090"~.131")

Magnesium housing \* W:Wire collated \* P:Plastic collated ● Air pressure: 5~8bar (70~120psi)

# Coil Nailer

## Applications

Siding, Pallet / crate manufacturing  
Trusses sheathing, Decking,  
Framing, Sub-floor



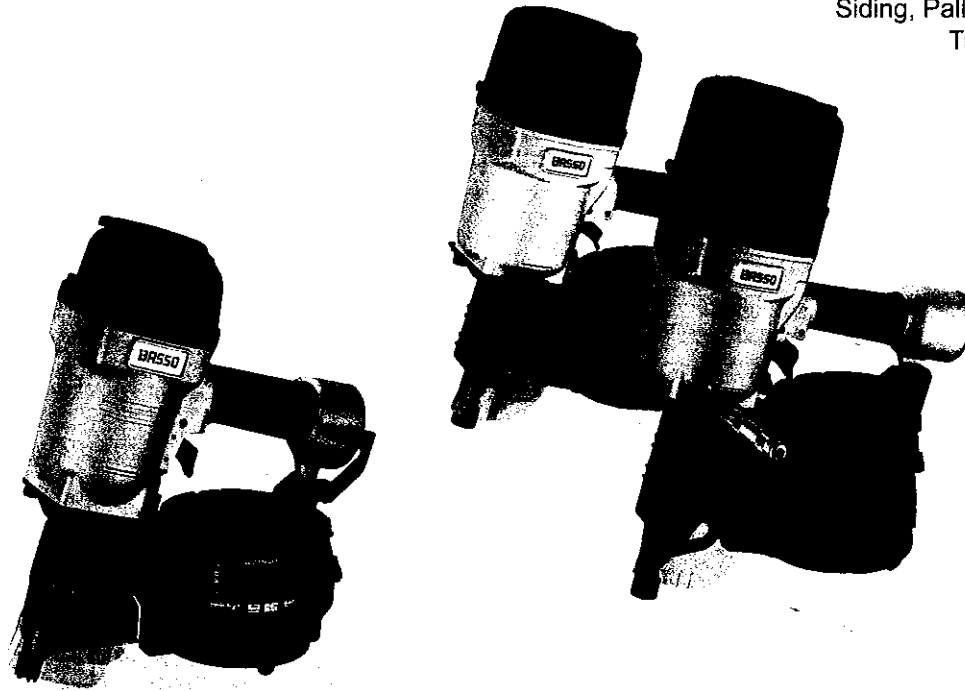
Model	3.6 (7.9)	3.6 (7.9)	2.9 (6.4)	3.8 (8.4)	3.6 (7.9)
Weight-kg (lbs)	3.6 (7.9)	3.6 (7.9)	2.9 (6.4)	3.8 (8.4)	3.6 (7.9)
Fastener capacity	250-300	400-450	200-300	225-300	200-300
Magazine Type	Flat	Conical	Flat / Conical	Flat	Flat
Pitch (mm)	W:8.0	W:6.2-6.5	W:8.0 P:7.5	W:8.0	W:8.0
LxWxH (mm)	339 x 129 x 317	307 x 133 x 317	313 x 132 x 315	339 x 132 x 365	385 x 143 x 370
	*Wire collated	* 0" Wire collated	W: 45-75mm (1 4/5-3") P: 45-57mm (1 4/5-2 1/4")	*Wire collated	*Wire collated
Ø	Ø 2.3-2.9mm (.090"-.113")	Ø 2.2-2.5mm (.087"-.099")	Ø 2.3-3.3mm (.090"-.131")	Ø 2.3-3.3mm (.090"-.131")	Ø 2.5-3.3mm (.099"-.131")

● Magnesium housing \* W:Wire collated \* P:Plastic collated ● Air pressure: 5-8bar (70-120psi)

# Coil Nailer

## Applications

Siding, Pallet and crate manufacturing  
Trusses sheathing, Decking,  
Framing, Sub-floor



Model	C35/100	C38/100	C38/100/PAL	C38/150
Weight-kg (lbs)	3.6 (7.9)	3.0 (6.66)	5.25 (11.56)	5.79 (12.7)
Fastener capacity	200-300	150-300	225-300	120-225
Magazine Type	Conical	Flat / Conical	Flat	Flat
Pitch (mm)	W:8.0 P:L Type:7.5	W:8.0 P:L Type:7.5	W:10.5	W:10.5
LxWxH (mm)	386 x 142 x 369	310 x 132 x 352	338 x 153 x 418	338 x 153 x 478
	*W:45-90mm (1 3/4"- 3 1/2") *P:45-75mm (1 3/4"-3")	*W:45-90mm (1 3/4"- 3 1/2") *P:45-75mm (1 3/4"-3")	*Wire collated	*Wire collated
	Ø 2.5-3.8mm (.099"-.148")	Ø 2.5-3.8mm (.099"-.148")	Ø 2.5-3.3mm (.099"-.131")	Ø 3.5mm (.138")
			Ø 2.5-3.3mm (.099"-.131")	Ø 3.05-3.8mm (.120"-.148")

● Magnesium housing \* W:Wire collated \* P:Plastic collated ● Air pressure: 5-8bar (70-120psi)